

# METHVEN

SHOWERS & TAPWARE

# Collection 2018

---

Introducing Tūroa and VJet™  
technology. My shower. My way.  
Page 14

Follow us for more inspiration:  
📷 [instagram.com/methven\\_nz](https://www.instagram.com/methven_nz)

Trial a Methven shower  
handset for 30 days  
for just \$1. Conditions  
apply.





Creating amazing water  
experiences since

1886

---

Creating amazing water experiences is what we do every day at Methven, and have done since 1886 when George Methven first started as a producer of brass and iron hardware in Dunedin, New Zealand.

Today, Methven is world renowned for beautifully designed, award-winning showers, taps and valves. It all stems from our knowledge of water. Our unique history as an island nation has taught us to take care of nature's most precious resource.

Over the years we have learned how to harness its power to cleanse, calm, refresh and invigorate. And it's this expertise - combined with our passion for design and innovation - that fuels our ongoing mission to create amazing water experiences, just for you.



## Icons Menu

To help you to identify important product features, we have placed icons beside each product. When you're browsing through the brochure, simply come back to this page and refer to each icon meaning.



**ALL PRESSURE DESIGN**  
Suitable for all water pressure installations (mains, unequal and equal low) above 35kPa.



**MAINS PRESSURE DESIGN**  
Suitable for mains water pressure installations above 150kPa.



**EQUAL LOW PRESSURE DESIGN**  
Suitable for equal low water pressure installations 120kpa and below.



**ECO BRASS®**  
Made with lead-free EcoBrass® to protect water quality and for enhanced corrosion resistance.



**DZR BRASS**  
Dezincification Resistant (DZR) brass bodies last longer and help maintain water quality.



**THERMOSTATIC MIXING TECHNOLOGY**  
Thermostatic mixing technology monitors and continually adjusts the temperature level preventing cold shocks or hot scalds.



**LIFEMARK™ APPROVED PRODUCT**  
Designed to be easy to use and accessible for everyone, regardless of age and ability.



**NEW PRODUCT**



**\$1 TRIAL**  
Trial this handset for 30 days for just \$1



**VARIABLE SPRAY**  
Variable spray at your control. From a firm invigorating spray to relaxing and everything in between.



**EASY DIY INSTALLATION**  
Replace your shower handset on your own – no need for a plumber.



**FLEXIBLE RAIL INSTALLATION**  
Adjustable mounting brackets for easy retrofit to existing installation holes.



**CONTROL WATER DIRECTION**  
The directional aerator includes a built-in swivel that enables you to manually adjust the direction of your water and minimise splashback. (Perfect for taps that sit directly over the sinkhole).



**SWIVEL SPOUT**  
Smooth, elegant and simple to use, our swivel spouts give you 360° control of your water flow.

**Lifemark**  
CERT™

**PRODUCT PARTNER**

Lifemark™ independently certifies homes and products that have been designed to be easy to use and accessible for everyone, regardless of age and ability.

A Lifemark™ Approved Product is tested to meet age friendly Lifemark™ Standards of usability adaptability and safety.

To find out more visit [www.lifemark.co.nz](http://www.lifemark.co.nz)

## IMPORTANT: KNOW YOUR WATER PRESSURE.

When choosing your showers and tapware it is important to know what water pressure your home has. New Zealand homes have three different types:

- Mains
- Unequal
- Equal Low

While most Methven products are designed to operate on all pressure installations, some products require mains pressure to operate effectively.

### 1. HOW TO CHECK YOUR WATER PRESSURE:

If you have...

- **Electric Water Heaters (Hot Water Cylinders)**  
Check the label on cylinder, and look for the words mains pressure or low pressure. Low pressure means you have Unequal or Equal Low pressure.

- **Gas Water Heaters & Heat Pump Hot Water Heaters**  
You will have mains pressure.

- **Solar Water Heaters & Tank Water Supply**  
These can vary considerably, so check with your plumber.

Again, if you're unsure ask your plumber.

### 2. LOOK FOR THE ICON THAT CORRESPONDS TO YOUR PRESSURE:

The operating pressure on each product is clearly labelled using the following icons:



**MAINS PRESSURE.**  
Operates on mains pressure installations above 150kPa.



**ALL PRESSURE.**  
Operates on all pressure installations above 35kPa; this is mains or unequal.



**EQUAL LOW PRESSURE.**  
Operates on equal low pressure installations 120kpa and below.

# Contents

## Our Story 04

## Bathroom 10

### VJET™ TECHNOLOGY COLLECTION 14

Tūroa 16

### AURAJET TECHNOLOGY COLLECTIONS 22

Aio 24

Rua 30

### SATINJET TECHNOLOGY COLLECTIONS 32

Tahi 34

Koha 36

Waipori 40

Kiri & Kiri Low Flow 46

Maku 50

Futura 52

### AIRSTREAM SHOWERS 56

Wairere 56

Easy-Click 57

Alpha 58

### CONVENTIONAL SHOWERS 59

Milano & Futura 59

### OVERHEAD SHOWERS 60

### STANDALONE TAPWARE COLLECTIONS 62

Surface 64

Minimalist 66

Awa 68

Belaire 69

Blaze 70

Celeste 71

Glide 72

Neon 73

Promix 74

Bath Fillers 75

### SPOUTS 76

## Kitchen 78

### SINK MIXERS 80



# Designed with you in mind

---

We want to make your experiences with water truly memorable. To do this we spend a lot of time studying and researching what people want, anticipating even the smallest of needs to deliver truly amazing water experiences.

Every detail is considered. From optimising the spray from our shower heads for better warmth and coverage; to a sliding switch instead of a conventional rotating head to make changing shower functions easy even with wet, slippery hands; to a built-in footrest for shaving your legs. Small details of your entire bathroom experience have been improved to create a big impact - and always designed with you in mind.



Steve Dixon

Toolmaker  
30 years of service

# Guaranteed quality

We're proud to stand by each and every one of our products with a 10-year, 20-year or lifetime warranty.

The reason for this is simple: we design and engineer our products here in New Zealand, so that we have control over the process from start to finish. We constantly push for perfection. In fact there is not a single component that hasn't been considered and refined for quality and durability at every stage - from design and engineering right through to manufacturing, crafting and even packaging.



# Committed to the environment

At Methven we're committed to protecting the planet and reducing our environmental impact to help conserve the earth's natural resources.

Water is the earth's most precious commodity. Currently around one fifth of the world lives in a water scarce region. And with water usage growing at twice the population rate, its preservation will only become more vital in years to come.

That's why at Methven we make taking care of water a primary focus in every product we develop.

For example, did you know that your shower uses around 30% of your household water consumption? So we've developed innovative technologies - such as Satinjet and Aurajet - that deliver a luxurious shower experience, all whilst actually using less water.

Methven. Conserving energy and water to protect  
the planet for generations to come.

---

Lake Wakitipu  
Queenstown, NZ

---

# Your bathroom, the choice to relax or revitalise

Your bathroom plays a vital role in your day. It invigorates you in the morning and relaxes you in the evening. So when you take on a bathroom project, be sure to consider the things that are most important to you with the help of this quick guide.

## 1. DECIDE WHAT TYPE OF BATHROOM YOU NEED:

When planning your new bathroom it's important to begin by thinking about how it will be used and by whom. People's requirements can often be very different:

**Family bathroom:** In a family bathroom you want to create a space that caters for growing families.

## 2. MAKE A LIST:

Before planning your layout think carefully about what you like and dislike about your current bathroom. Make a list and prioritise which features you'd most like to see in your new bathroom. Maybe it's an oversize walk-in shower, a large vanity with two sinks, a separate enclosure for your toilet, or a large free-standing bath.

## 3. GET INSPIRATION:

Gather inspiration of bathrooms you like from magazines and the internet. This could help when you're planning your layout.



**Ensuite:** An ensuite should be a sanctuary that's both luxurious and practical – a space where you can escape and relax.

**Guest bathroom:** Here you want to create a space that is both welcoming and pampering.

**Rental property:** Reliability and durability are the most important when selecting products for a rental property.



## Some handy tips

Whether it's a new home build, renovation or a quick refresh, Methven has you covered with showers and tapware to suit any bathroom.

### QUICK BATHROOM REFRESH

This can be as easy as changing your shower, either the shower handset or the whole rail shower. It's not difficult to do – either by screwing in a new handset on to your existing hose, or retro-fitting a new rail shower with adjustable mounting brackets so there's no need to drill additional holes. You'll be surprised at how a little added shower luxury can improve your day.

### NEW BUILDS AND RENOVATIONS

When you're ready to choose bathroom fittings, start with the shower first. Why? Because the shower is an important space. You spend a lot of time in it and for many it's the only time of day when you get some 'me' time.

## 4. PLANNING YOUR LAYOUT

Your new bathroom layout can make all the difference, so be sure to plan carefully:

**Bathtub** – These days many people are trading or downsizing their bath for a luxurious walk-in shower. This can be a great option, although you may want to consider retaining at least one bath in the house – it can add to the value of your property.

**Vanity** – The vanity plays an integral role in your bathroom – choose a spot that won't interfere with your traffic, and make sure there's room above for mirror and wall cabinets.

**Shower** – Make the best use of space in small bathrooms by going for an open walk-in shower that doesn't need a curtain or door.

**Plumbing Practicalities** – Plumbing is a major cost in any bathroom project. In a renovation, try to keep costs down by limiting the need for adjusting your existing plumbing set-up.



# Your shower experiences

Your shower should be a highlight of your day, transforming body and mind. But everyone has their own idea of the perfect shower. That's why at Methven we've spent a huge amount of time researching people's preferences, and creating innovations that turn your shower time into an amazing experience, every time.



## VJet™

A shower to suit your ever-changing needs.

Its smooth handset slider allows you to activate a seamless spray transition - from firm, to gentle, and everything in between.



## Aurajet°

Our design looks amazing and feels divine.

20% more spray force and twice the amount of water on your skin than a conventional shower\*.

\* Compared to a Methven Conventional Shower at gL per minute.



## Satinjet°

A sensation only your skin can truly understand.

An amazing full-body shower sensation. Satinjet turns an everyday ritual into an experience like no other.



## Airstream™

Feels like your own personal rain shower.

Airstream™ technology mixes air with water to create a refreshing, rain-like more voluminous shower experience.

## Which shower?

There's an abundance of different shower types to choose from across the Methven range. Here's a quick guide to ensure you choose the right shower for your bathroom environment:



### RAIL SHOWER

Offers great flexibility - height adjustability so the smallest or tallest users can enjoy a great shower, plus a handset that can be picked up for direct body showering. Perfect for the family bathroom.

### SHOWER SYSTEM

The ultimate shower for those who want the best of both worlds. Enjoy the flexibility of a rail shower with the added luxury of an overhead shower. Great for en suites.

### HAND SHOWER

The simplicity of a fixed-point shower with the versatility of a movable showerhead. Can also be a handy addition to your bath or combined with an overhead for a more luxurious experience.

### WALL SHOWER

Compact, durable and easy to clean. A popular choice for confined areas, commercial spaces and rental properties.

### OVERHEAD SHOWER

For those who want an elegant yet minimalist look and a fully immersive experience. Overhead Showers are the ideal choice.

### HI RISE SHOWER

A wall shower with the added bonus of height adjustability. Works well in a family bathroom.



# METHVEN

VJet™

## A shower to suit your ever-changing needs.

Introducing the award-winning Methven VJet™ Tūroa Shower.

Because your showering needs are always changing, we set out to create an experience that's in your control

Cleverly hidden channels create spirals of water, precisely released through individual nozzles. A smooth slider allows for seamless transition from a firm, invigorating spray to a gentle, enveloping warmth and everything in between.

Whether you're in need of revitalisation, relaxation or simply getting clean, VJet™ is a shower without limitations, uniquely tailored by you.

All this adds up to a unique experience that transforms your day, every time you shower.

VJet™. My shower. My way.



**TRY BEFORE YOU BUY** – Experience the amazing benefits of VJet in your own home. **Trial the Tūroa Handset for 30 days for just \$1.** Conditions apply, to start your trial visit [methven.com](http://methven.com)



# VJet™ Tūroa

A shower experience that you tailor to suit your ever-changing needs.

### VJET™

Cleverly hidden channels create spirals of water, precisely released through individual nozzles across the entire shower head.

### VARIABLE SPRAY

Set the spray to your preference - from firm to gentle spray and everything in between, using a smooth slider.

### WATER EFFICIENT

Water flow rate is optimised to be water efficient without compromising on spray performance.

### MODERN AESTHETIC

Designed from stainless steel for a modern look that will last.



### WIDE COVERAGE

A full-bodied spray for all-over warmth and maximum body contact.



To complete the look match with:  
Tūroa Tapware - See page 18  
Tūroa Accessories - See page 20

1.



2.



### 1. TŪROA SHOWER HANDSET

WELS mains pressure  
3★ 9L/MIN

STAINLESS STEEL & WHITE > TUHSSSWH  
STAINLESS STEEL & GRAPHITE > TUHSSSGR



### 2. TŪROA RAIL SHOWER

WELS mains pressure  
3★ 9L/MIN

STAINLESS STEEL & WHITE > TUSRSSWH  
STAINLESS STEEL & GRAPHITE > TUSRSSGR



# Tūroa

Tūroa tapware is crafted from high grade stainless steel, designed to complement Tūroa showers and complete any modern bathroom interior.



**STAINLESS STEEL**

Because of its long-lasting durability, our robust Tūroa tapware range is supported by an industry leading 20 year parts and labour warranty.

**CERAMIC CARTRIDGE**

Fitted with a quality ceramic cartridge for all-round durability and longevity.



**1. TŪROA BASIN MIXER**

WELS mains pressure  
6★ 4.5L/MIN  
> TUBSS



**2. TŪROA WALL MOUNTED BATH SPOUT**

> TUSPWTSS



**3. TŪROA WALL MOUNTED MIXER WITH SPOUT**

WELS mains pressure  
4★ 6.5L/MIN  
> TUWBSS



**4. TŪROA SHOWER MIXER**

> TUHPSSS



**5. TŪROA SHOWER MIXER WITH LARGE FACEPLATE**

> TUHPSLSS



**6. TŪROA SHOWER DIVERTER**

> TUDSS



# Tūroa

The Tūroa accessories collection is crafted from quality stainless steel, designed to complement Tūroa showers and tapware, and complete any modern bathroom interior.



### QUALITY FIXING SYSTEM

The metal fixing system meets Methven's testing standards, suitable for both solid and cavity wall installations.

### EASY INSTALLATION

Simple step by step instructions to guide installation.



1. TŪROA SINGLE TOWEL RAIL 600MM

> TUSTSS



2. TŪROA ROBE HOOK

> TURHSS



3. TŪROA TOILET PAPER HOLDER

> TUTHSS



4. TŪROA HAND TOWEL RING

> TUTRSS



5. TŪROA SOAP DISH

WHITE > TUSDSSWH  
GRAPHITE > TUSDSSGR



6. TŪROA POP UP WASTE

> TUPWSS



# METHVEN

## Aurajet®

Our halo shaped design looks amazing and feels divine.

Aurajet®, our uniquely advanced design and invigorating shower turns conventional showering on its head.

Hidden nozzles generate individual jets of water that collide against precisely angled surfaces hidden within the contours of the unique halo-shaped showerhead.

The result is a stunning fan of luxuriously dense droplets that delivers a highly efficient shower with 20% more spray force and twice the amount of water contact on your skin than a conventional shower\*. All this adds up to an enveloping warmth that has to be felt to be believed, and a heavenly experience that puts you in a great space, every time you shower.



**TRY BEFORE YOU BUY** – Experience the amazing benefits of Aurajet in your own home. **Trial the Aio Handset for 30 days for just \$1.** Conditions apply, to start your trial visit [methven.com](http://methven.com)



**20%**  
MORE SPRAY FORCE\*

**2x**  
THE AMOUNT OF SKIN CONTACT\*

\* Compared to a Methven Conventional Shower at 9L per minute.

# Aurajet® Aio

The Aio shower has an intriguing contemporary look and, within it's distinctive halo-shaped showerhead, employs groundbreaking Aurajet technology to deliver a fullbodied spray with maximum body contact and all-over warmth. It's our most advanced, most invigorating shower experience yet.

## AURAJET

A stunning fan of luxuriously dense droplets that deliver a highly efficient shower with 20% more spray force and twice the amount of water on your skin\*.

\* Compared to a Methven Conventional Shower at 9L per minute.

## \$1 TRIAL

Experience the amazing benefits of Aurajet in your own home. Trial the Aio Handset for 30 days for just \$1.

Conditions apply, visit [methven.com](http://methven.com) for details



## ULTRA WIDE COVERAGE

A full-bodied spray for all-over warmth and maximum body contact.



1.



2.



3.



4.



5.



6.



7.



### 1. AIO HANDSET

WELS mains pressure  
3★ 9L/MIN  
CHROME > AOHSCP  
WHITE > AOHSCPWH



### 2. AIO SHOWER SYSTEM

Drencher WELS mains pressure  
2★ 9.5L/MIN  
Handset WELS mains pressure  
3★ 9L/MIN  
CHROME > AOSSCP  
WHITE > AOSSCPWH  
MIDNIGHT > AOSSCPC3



### 3. AIO RAIL SHOWER

WELS mains pressure  
3★ 9L/MIN  
CHROME > AOSRCP  
WHITE > AOSRCPWH  
MIDNIGHT > AOSRCP3



### 4. AIO HAND SHOWER

WELS mains pressure  
3★ 9L/MIN  
CHROME > AOWBCP



### 5. AIO WALL SHOWER ON SHORT ARM

WELS mains pressure  
3★ 9L/MIN  
CHROME > AOSACP



### 6. AIO OVERHEAD SHOWER

WELS mains pressure  
2★ 10.5L/MIN  
CHROME > AOOSCP



### 7. AIO HI RISE SHOWER

WELS mains pressure  
3★ 8.5L/MIN  
CHROME > AOHRCP



To complete the look match with:  
Aio Tapware - See page 28  
Maku Tapware - See page 50



1.



**1. AIO RAIL SHOWER**

WELS mains pressure  
3★ 9L/MIN

**MATTE BLACK > AOSRBK**



2.



**2. AIO SHOWER SYSTEM**

WELS mains pressure  
3★ 9L/MIN

**MATTE BLACK > AOSRBK**



3.



**3. AIO OVERHEAD SHOWER**

WELS mains pressure  
3★ 9L/MIN

**MATTE BLACK > AOSBKB**



4.



**4. AIO BASIN MIXER**

WELS mains pressure  
4★ 7L/MIN  
WELS low pressure  
4★ 6.5L/MIN

**MATTE BLACK > AOBKB**



5.



**5. AIO SHOWER MIXER**

**MATTE BLACK > AOHPBKB**



6.



**6. AIO WALL MOUNTED BATH SPOUT**

**MATTE BLACK > AOSPWBTBK**



# Aio

Complementing the Aio showerhead's unique halo form, Aio tapware combines intriguing sculptural contours with modern minimalist design.



**LEAD FREE BRASS**

Using Eco Brass® to protect water quality and for enhanced corrosion resistance (excludes Fastflow Aio Shower Mixer).

**CERAMIC CARTRIDGE**

Fitted with a quality ceramic cartridge for all-round durability and longevity.



1. AIO BASIN MIXER

WELS mains pressure  
4★ 7L/MIN  
WELS low pressure  
4★ 6.5L/MIN

> AOBBCP



2. AIO MINI BASIN MIXER

WELS mains pressure  
4★ 7.5L/MIN  
WELS low pressure  
6★ 4.5L/MIN

> AOBMCP



3. AIO WALL MOUNTED MIXER WITH SPOUT

WELS mains pressure  
4★ 7L/MIN

> AOWBCP



4. AIO WALL MOUNTED BATH SPOUT

> AOSPBWBCP



5. AIO SHOWER MIXER

> AOHPSCP



6A. Fastflow® AIO SHOWER MIXER

> AOAPSCP



6B. Safeflow™ AIO SHOWER MIXER

> AOSFSCP



7. AIO SHOWER MIXER WITH DIVERTER

> AOHPSDCP





# Aurajet® Rua

The distinctive Rua shower takes geometric styling and softens the appearance with slightly rounded edges for a truly unique and contemporary look. Rua utilises the groundbreaking Aurajet technology to deliver better coverage and force within a wide balanced spray. It's our most advanced, most invigorating shower experience yet.

## AURAJET

A stunning fan of luxuriously dense droplets that deliver a highly efficient shower with 20% more spray force and twice the amount of water on your skin\*.

\* Compared to a Methven Conventional Shower at 7.5L per minute.



## WIDE COVERAGE

A wider, well-balanced spray for superior body coverage.



To complete the look match with:  
Surface Tapware - See page 64  
Kiri Tapware - See page 48

1.



2.



## 1. RUA HANDSET

WELS mains pressure  
4★ 7.5L/MIN

CHROME > RUHSCP  
WHITE > RUHSCPWH



## 2. RUA RAIL SHOWER

WELS mains pressure  
4★ 7.5L/MIN

CHROME > RUSRCP  
WHITE > RUSRCPWH



# METHVEN

## Satinjet®

### A sensation only your skin can truly understand.

Turn an everyday ritual into a shower experience with award-winning Satinjet® technology from Methven.

Unlike conventional showers, Satinjet® uses unique twin-jet technology to create optimum water droplet size and pressure, with over 300,000 droplets per second. The result is an immersive, full-body shower sensation that transforms your regular shower into an experience like no other.

And because we know everyone has their own idea of the perfect shower, Methven has crafted a range of Satinjet® showers you can match to your individual needs – from gentle and enveloping to powerful and invigorating.

Satinjet® from Methven – prepare yourself for a truly sensational shower experience.



**TRY BEFORE YOU BUY** – Experience the amazing benefits of Satinjet in your own home. Trial the Waipori Handset for 30 days for just \$1. Conditions apply, to start your trial visit [methven.com](http://methven.com)



#### OUR RECOMMENDATIONS FOR LOW & UNEQUAL WATER PRESSURE

While all Satinjet showers are designed to operate on all pressure installations some are optimised to perform better than others on Unequal and Low Pressures. Here are our recommendations:

#### UNEQUAL – WAIPORI

Good balance between force and coverage.



#### LOW & UNEQUAL – KIRI

Good coverage and larger droplets.



#### LOW – MAKU

Compact spray to optimise the spray force.



# Satinjet® Tahi

Combining contemporary functionality with classic lines and angles, each element of the Tahi collection is designed with you in mind. From delivering individual touches that heighten your shower experience, to the Tahi mixers' ergonomic design that brings a smooth, tactile element to simple functionality. The difference is in the detail.

#### SATINJET

A full-body shower experience, like no other. Satinjet's colliding twin jets produce over 300,000 droplets of water per second for the ultimate shower experience.

#### MASSAGE

The luxurious Satinjet experience with an added massage function for a more powerful spray - ideal for rinsing your hair.



#### ULTRA WIDE COVERAGE

A full-bodied spray for all-over warmth and maximum body contact.



To complete the look match with:  
Surface Tapware - See page 64  
Kiri Tapware - See page 48

1.



#### 1. TAHII SHOWER SYSTEM

Drencher WELS mains pressure  
2★ 12L/MIN  
Handset WELS mains pressure  
2★ 11L/MIN  
> SHTACCP



2.



#### 2. TAHII RAIL SHOWER SHORT

WELS mains pressure  
2★ 11L/MIN  
> SHTASBCP



3.



#### 3. TAHII THERMOSTATIC DUAL FLOW MIXER

> TASHT2CP



# Satinjet® Koha

A classic form with modern design accents, the Koha shower collection brings a distinctive design aesthetic. Organic curves meet crisp edges in a look that's as practical as it is beautiful.

## SATINJET

A full-body shower experience, like no other. Satinjet's colliding twin jets produce over 300,000 droplets of water per second for the ultimate shower experience.

## MASSAGE

The luxurious Satinjet experience with an added massage function with a more powerful spray - ideal for rinsing your hair.



## ULTRA WIDE COVERAGE

A full-bodied spray for all-over warmth and maximum body contact.



1.



4.



5.



2.



3.



### 1. KOHA HI RISE SHOWER

WELS mains pressure  
3★ 9L/MIN  
WELS low pressure  
3★ 5L/MIN

> KHRCPGR



### 2. KOHA RAIL SHOWER

WELS mains pressure  
3★ 8.5L/MIN  
WELS low pressure  
3★ 8.5L/MIN

GRAPHITE > KHSRCPGR  
WHITE > KHSRCPWH  
CHROME > KHSRCP



### 3. KOHA SHOWER SYSTEM

Drencher WELS mains pressure  
3★ 8.5L/MIN  
Handset WELS mains pressure  
3★ 8L/MIN

> KHSSCPGR



### 4. KOHA SHOWER ON UPSWEPT ARM

WELS mains pressure  
3★ 9L/MIN  
WELS low pressure  
3★ 9L/MIN

> KHUACPGR



### 5. KOHA HANDSET

WELS mains pressure  
3★ 8.5L/MIN  
WELS low pressure  
3★ 8.5L/MIN

GRAPHITE > KHSRCPGR  
WHITE > KHSRCPWH  
CHROME > KHSRCP



To complete the look match with:  
Koha Tapware - See page 38  
Aio Tapware - See page 28  
Maku Tapware - See page 50

# Koha

Strong but timeless forms make this tapware perfect to complement the Koha shower range's distinctive fusion of classic and modern. A versatile look with a range of options to suit any home.



**CERAMIC CARTRIDGE**

Fitted with a quality ceramic cartridge for all-round durability and longevity.

**LONGER LASTING TAPS**

Dezincification Resistant (DZR) brass bodies last longer and help maintain water quality.



**1. KOHA BASIN MIXER**

WELS mains pressure  
4★ 6.5L/MIN  
WELS low pressure  
4★ 7L/MIN  
> KOBSLCP



**2. KOHA WALL MOUNTED BATH SPOUT**

> KOSP200CP



**3. KOHA WALL MOUNTED MIXER WITH SPOUT**

WELS mains pressure  
4★ 6.5L/MIN  
> KOWSLCP



**4. KOHA WALL MOUNTED MIXER WITH BACKPLATE AND SPOUT**

WELS mains pressure  
4★ 6.5L/MIN  
> KOWSLFCP



**5. Fastflow® KOHA SHOWER MIXER**

> KOSHCP



**6. KOHA SHOWER MIXER WITH DIVERTER**

> KOSHDCP



**7. KOHA SHOWER MIXER**

> KOHPUSCP



# Satinjet® Waipori

In our distinctive Waipori collection, we have taken traditional geometric shapes and subtly tapered them for the modern bathroom. Attractive, slimline and compact.

### SATINJET

A full-body shower experience, like no other. Satinjet's colliding twin jets produce over 300,000 droplets of water per second for the ultimate shower experience.

### \$1 TRIAL

Experience the amazing benefits of Satinjet in your own home. Trial the Waipori Handset for 30 days for just \$1.

Conditions apply, visit [methven.com](http://methven.com) for details



### OVERHEAD ULTRA WIDE COVERAGE

A full-bodied spray for all-over warmth and maximum body contact.



### WIDE COVERAGE

A wider, well-balanced spray for superior body coverage.



To complete the look match with:  
Waipori Tapware - See page 44  
Kiri Tapware - See page 48  
Surface Tapware - See page 64



### 1. WAIPORI HANDSET WITH HOSE

WELS mains pressure  
3★ 8.5L/MIN  
WELS low pressure  
3★ 9L/MIN

GRAPHITE > WAHPCP  
WHITE > WAHSCPWH



### 2. WAIPORI RAIL SHOWER

WELS mains pressure  
3★ 8.5L/MIN  
WELS low pressure  
3★ 9L/MIN

GRAPHITE > SHWACP  
WHITE > WASRCPWH



### 3. WAIPORI SHOWER SYSTEM

Drencher WELS mains pressure  
3★ 8.5L/MIN  
Handset WELS mains pressure  
3★ 8L/MIN

> WASSCPGR



### 4. WAIPORI WALL SHOWER ON CONVENTIONAL ARM

WELS mains pressure  
3★ 8.5L/MIN  
WELS low pressure  
3★ 8.5L/MIN

> WA215CP



### 5. WAIPORI WALL SHOWER ROSE

WELS mains pressure  
3★ 8.5L/MIN  
WELS low pressure  
3★ 9L/MIN

> WASRCP





- |  |  |   |  |   |  |   |
|--|--|---|--|---|--|---|
| <p><b>1. WAIPORI RAIL SHOWER</b></p> <p>WELS mains pressure<br/>3★ 8.5L/MIN<br/>WELS low pressure<br/>3★ 9L/MIN</p> <p><b>MATTE BLACK &gt; WASRBK</b><br/><b>MATTE BLACK &amp; WHITE &gt; WASRBKWH</b></p> <p></p> | <p><b>2. WAIPORI BASIN MIXER</b></p> <p>WELS mains pressure<br/>4★ 6.5L/MIN<br/>WELS low pressure<br/>6★ 3.5L/MIN</p> <p><b>MATTE BLACK &gt; WABBK</b></p> <p></p> | <p><b>3. WAIPORI SINK MIXER</b></p> <p>WELS mains pressure<br/>4★ 6.5L/MIN<br/>WELS low pressure<br/>4★ 7L/MIN</p> <p><b>MATTE BLACK &gt; WAKBK</b></p> <p></p> | <p><b>4. WAIPORI WALL MOUNTED BATH SPOUT</b></p> <p><b>MATTE BLACK &gt; WASPW200BK</b></p> <p></p> | <p><b>5. WAIPORI WALL MOUNTED MIXER WITH SPOUT</b></p> <p>Coming November 2017<br/>WELS mains pressure<br/>4★ 7L/MIN</p> <p><b>MATTE BLACK &gt; WAWSLBK</b></p> <p></p> | <p><b>6. Fastflow® WAIPORI SHOWER MIXER</b></p> <p><b>MATTE BLACK &gt; WAAPSBK</b></p> <p></p> | <p><b>7. WAIPORI SHOWER MIXER WITH DIVERTER</b></p> <p><b>MATTE BLACK &gt; WAHPSDBK</b></p> <p></p> |
|--|--|---|--|---|--|---|

# Waipori

A softer, modern take on geometric styling that's beautiful to the touch.



**CERAMIC CARTRIDGE**  
Fitted with a quality ceramic cartridge for all-round durability and longevity.

**LONGER LASTING TAPS**  
Dezincification Resistant (DZR) brass bodies last longer and help maintain water quality.



1. WAIPORI BASIN MIXER

WELS mains pressure  
4★ 6.5L/MIN  
WELS low pressure  
6★ 3.5L/MIN  
> WABCP



2A. WAIPORI HOB MOUNTED BATH SPOUT

> WASPH200CP



2B. WAIPORI WALL MOUNTED BATH SPOUT

> WASPW200CP



3. WAIPORI 3 HOLE WALL MOUNTED SET

WELS mains pressure  
4★ 7L/MIN  
WELS low pressure  
4★ 6.5L/MIN  
> WABWCP



4. WAIPORI WALL MOUNTED MIXER WITH SPOUT

WELS mains pressure  
4★ 7L/MIN  
> WAWSLCP



5A. WAIPORI SHOWER MIXER

> WAHPSCP



5B. Fastflow® WAIPORI SHOWER MIXER

> WASHCP



5C. Safeflow® WAIPORI SHOWER MIXER

> WASFCP



5D. Hyperflow® WAIPORI SHOWER MIXER

> WAHFSCP



6. WAIPORI SHOWER MIXER WITH DIVERTER

> WASHDCP



7. WAIPORI MINI SHOWER MIXER

> WAHPUSCP





# Satinjet® Kiri

Kiri is our answer for lovers of clean lines and strong, dynamic forms. This solid architectural style makes its presence known in your bathroom.

## SATINJET

A full-body shower experience, like no other. Satinjet's colliding twin jets produce over 300,000 droplets of water per second for the ultimate shower experience.



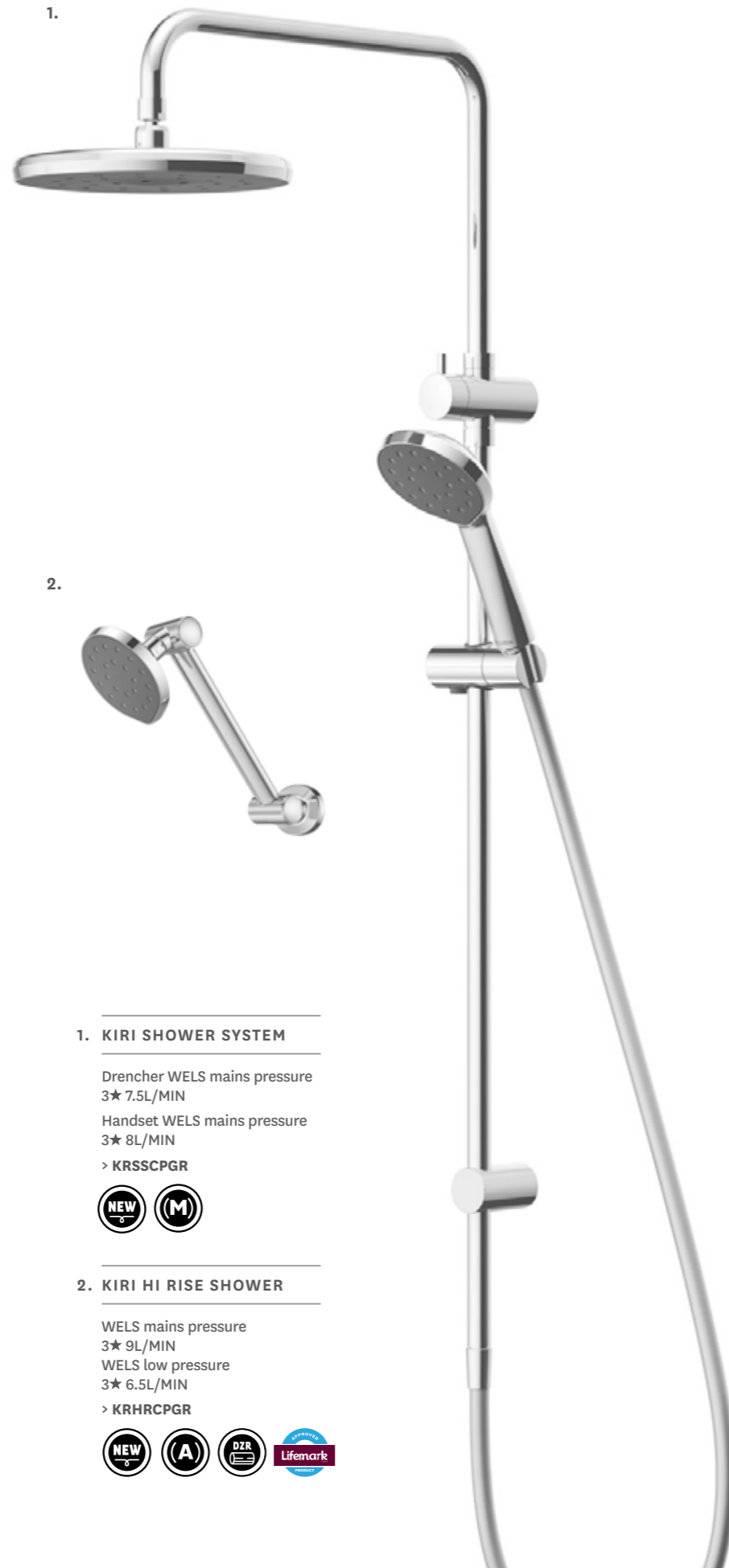
### OVERHEAD ULTRA WIDE COVERAGE

A full-bodied spray for all-over warmth and maximum body contact.



### WIDE COVERAGE

A wider, well-balanced spray for superior body coverage.



1.

2.

#### 1. KIRI SHOWER SYSTEM

Drencher WELS mains pressure  
3★ 7.5L/MIN

Handset WELS mains pressure  
3★ 8L/MIN

> KRSSCPGR



#### 2. KIRI HI RISE SHOWER

WELS mains pressure  
3★ 9L/MIN  
WELS low pressure  
3★ 6.5L/MIN

> KRHRCPGR



3.



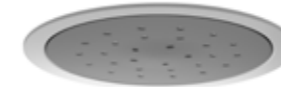
4.



5.



6.



7A.  
7B.



8.



9.



10.



11.



#### 3. KIRI HANDSET

WELS mains pressure  
3★ 8L/MIN  
WELS low pressure  
3★ 9L/MIN

> KRHSCPGR



#### 4. KIRI LOW FLOW HANDSET

WELS mains pressure  
3★ 5L/MIN

> KRLFHSCP



#### 5. KIRI WALL SHOWER ON CONVENTIONAL ARM

WELS mains pressure  
3★ 8.5L/MIN  
WELS low pressure  
2★ 10L/MIN

> KRCACPGR



#### 6. KIRI OVERHEAD SHOWER

WELS mains pressure  
3★ 7.5L/MIN  
WELS low pressure  
1★ 13L/MIN

FLUSH MOUNTED > OSRO230FMCPCGR  
OVERHEAD SHOWER > OSRO230CPGR



#### 7A. KIRI OVERHEAD SHOWER ON WALL ARM

WELS mains pressure  
3★ 8.5L/MIN  
WELS low pressure  
2★ 11L/MIN

> OSRO230WACPGR



#### 7B. KIRI OVERHEAD SHOWER ON CEILING ARM

WELS mains pressure  
3★ 7.5L/MIN  
WELS low pressure  
2★ 11L/MIN

> OSRO230CACPCGR



#### 8. KIRI RAIL SHOWER

WELS mains pressure  
3★ 8L/MIN  
WELS low pressure  
3★ 9L/MIN

> KRRCPCGR



#### 9. KIRI WALL SHOWER ON UPSWEPT ARM

WELS mains pressure  
3★ 8.5L/MIN  
WELS low pressure  
2★ 10L/MIN

> KRUCPCGR



#### 10. KIRI WALL SHOWER ROSE

WELS mains pressure  
3★ 8.5L/MIN  
WELS low pressure  
2★ 11L/MIN

> KRWSCPCGR



#### 11. KIRI LOW FLOW WALL SHOWER ROSE

WELS mains pressure  
3★ 5L/MIN

> KRLFWSCP



To complete the look match with:  
Aio Tapware - See page 28  
Maku Tapware - See page 50  
Kiri Tapware - See page 48

# Kiri

Bold and contemporary geometric forms offer a confident counterpoint to the rounded Kiri shower range for a confident statement in styling.



**CERAMIC CARTRIDGE**

Fitted with a quality ceramic cartridge for all-round durability and longevity.

**LONGER LASTING TAPS**

Dezincification Resistant (DZR) brass bodies last longer and help maintain water quality.



1. KIRI BASIN MIXER

WELS mains pressure  
4★ 6.5L/MIN  
WELS low pressure  
4★ 6.5L/MIN

> KIBBCP



2. KIRI HI RISE BASIN MIXER

WELS mains pressure  
4★ 6.5L/MIN  
WELS low pressure  
4★ 7L/MIN

> KIBHRCP



3. KIRI 3 HOLE BASIN SET

WELS mains pressure  
4★ 6.5L/MIN  
WELS low pressure  
2★ 11L/MIN

> KIBHCP



4. KIRI 3 HOLE WALL MOUNTED SET

WELS mains pressure  
4★ 6.5L/MIN  
WELS low pressure  
1★ 13.5L/MIN

> KIBWCP



5. KIRI WALL MOUNTED MIXER WITH SPOUT

WELS mains pressure  
4★ 6.5L/MIN

> KIWSLCP



6. KIRI WALL MOUNTED BATH SPOUT

> KISP172CP



7. Fastflow® KIRI SHOWER MIXER

> KISHCP



8. KIRI SHOWER MIXER WITH DIVERTER

> KISHDCP

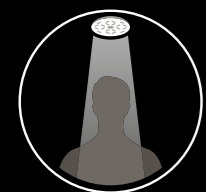


# Satinjet® Maku

Designed as a natural evolution of the classic minimalist style, Maku is designed with compact, balanced proportions. The tapware delivers refined cylindrical forms and subtle planes for a simple elegant look.

## SATINJET

A full-body shower experience, like no other. Satinjet's colliding twin jets produce over 300,000 droplets of water per second for the ultimate shower experience.



### REGULAR COVERAGE

A compact and powerful spray for everyday showering.



To complete the look match with:  
Aio Tapware - See page 28

1.



2.



3.



4.



5A.  
5B.



6.



#### 1. MAKU RAIL SHOWER

WELS mains pressure  
3★ 7.5L/MIN  
WELS low pressure  
3★ 6L/MIN  
> SHMAKCP



#### 2. MAKU BASIN MIXER

WELS mains pressure  
4★ 6.5L/MIN  
WELS low pressure  
6★ 4.5L/MIN  
> MABCP



#### 3. MAKU WALL MOUNTED BATH SPOUT

> MASPW210CP



#### 4. MAKU WALL MOUNTED MIXER WITH SPOUT

WELS mains pressure  
4★ 7L/MIN  
> MAWSLCP



#### 5A. Fastflow® MAKU SHOWER MIXER

> MASHCP



#### 5B. Safeflow® MAKU SHOWER MIXER

> MASFCP



#### 6. MAKU SHOWER MIXER

> MAHPUSCP



# Satinjet® Futura

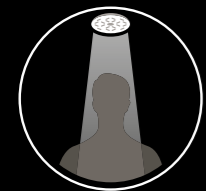
Our design team have made some subtle improvements to this traditional crowd-pleaser. With clean unpretentious lines, combining everyday luxury with water efficiency.

### SATINJET

A full-body shower experience, like no other. Satinjet's colliding twin jets produce over 300,000 droplets of water per second for the ultimate shower experience.

### MASSAGE

The luxurious Satinjet experience with an added massage function for a more powerful spray - ideal for rinsing your hair (excludes Futura FU).

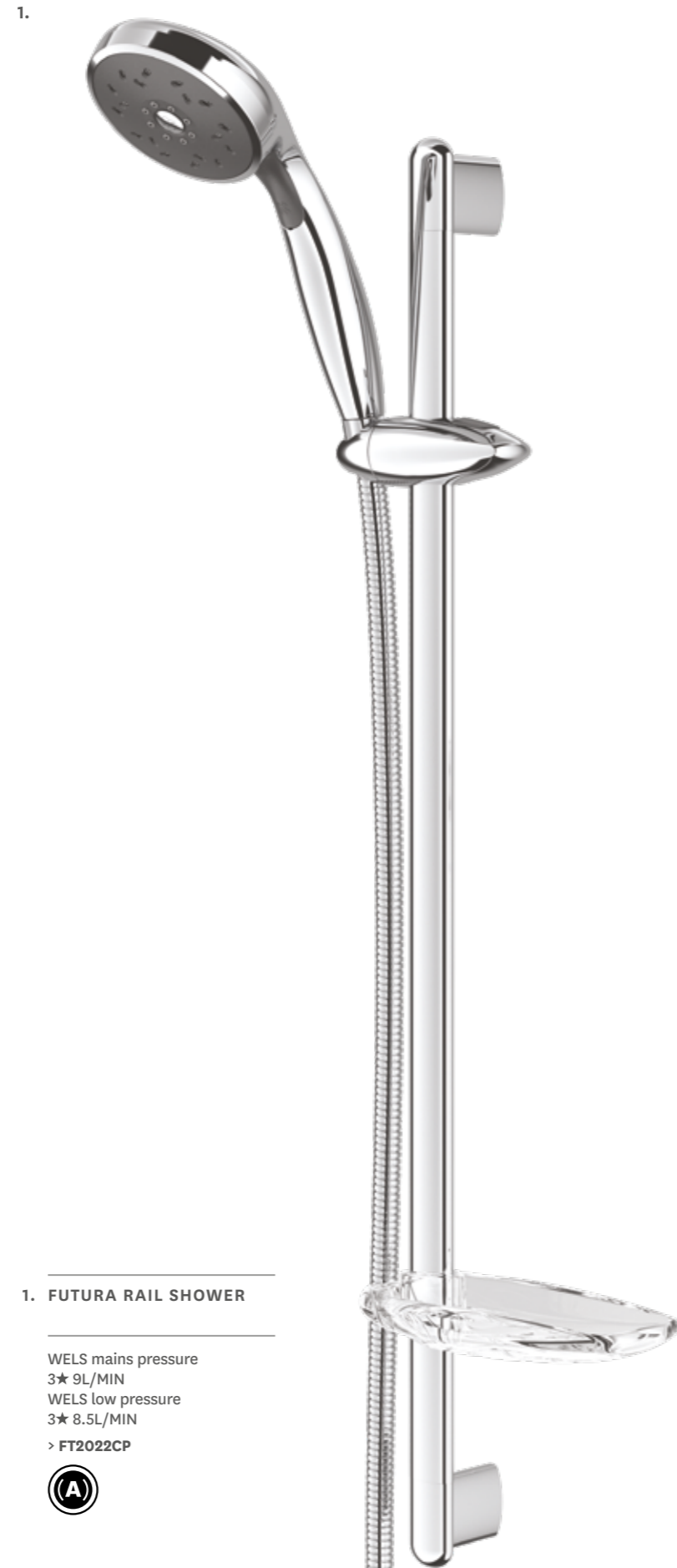


### REGULAR COVERAGE

A compact and powerful spray for everyday showering.



To complete the look match with:  
Futura Tapware - See page 54  
Maku Tapware - See page 50



1. FUTURA RAIL SHOWER

WELS mains pressure  
3★ 9L/MIN  
WELS low pressure  
3★ 8.5L/MIN

> FT2022CP



4. FUTURA FU RAIL SHOWER

WELS mains pressure  
3★ 7.5L/MIN  
WELS low pressure  
3★ 6L/MIN

> FU2011CP



5. FUTURA WALL SHOWER ON CONVENTIONAL ARM

WELS mains pressure  
3★ 9L/MIN  
WELS low pressure  
3★ 8.5 L/MIN

> FT215CP



2. FUTURA HANDSET WITH HOSE

WELS mains pressure  
3★ 9L/MIN  
WELS low pressure  
3★ 8.5L/MIN

> FT1022CP



3. FUTURA FU HANDSET WITH HOSE

WELS mains pressure  
3★ 7.5L/MIN  
WELS low pressure  
3★ 6L/MIN

> FU1011CP



6. FUTURA WALL SHOWER ON UPSWEPT ARM

WELS mains pressure  
3★ 9L/MIN  
WELS low pressure  
3★ 8.5 L/MIN

> FT315CP



7. FUTURA HI RISE SHOWER

WELS mains pressure  
3★ 9L/MIN  
WELS low pressure  
3★ 6.5L/MIN

> FT7423CP



# Futura

A simple classic design range that's versatile enough to work with any style of bathroom.



**CERAMIC CARTRIDGE**

Fitted with a quality ceramic cartridge for all-round durability and longevity.

**LONGER LASTING TAPS**

Dezincification Resistant (DZR) brass bodies last longer and help maintain water quality.



**1. FUTURA BASIN MIXER**

WELS mains pressure  
3★ 8L/MIN  
WELS low pressure  
3★ 8.5L/MIN

> FT2050CP2



**2. FUTURA FU BATH MIXER**

> FU2080CP2



**3. FUTURA SHOWER MIXER WITH DIVERTER**

> FTSHDCP2



**4A. Fastflow®  
FUTURA SHOWER MIXER**

> FT2010CP2



**4B. Hyperflow™  
FUTURA SHOWER MIXER**

> FTHFSCP2



# Airstream™ Wairere

Integrating functionality with form, highlighted particularly by the elegant handsets and premium features throughout, the Wairere range of showers are an excellent choice for any bathroom.



### AIRSTREAM

Airstream technology aerates each water droplet to increase its volume – thus creating a refreshing shower experience.

### 5 FUNCTION HANDSET

Spray, Bubble, Massage, Spray+Bubble, Spray+Massage



### REGULAR COVERAGE

A compact and powerful spray for everyday showering.



To complete the look match with:  
Koha Tapware - See page 38  
Aio Tapware - See page 28  
Minimalist Tapware - See page 66

1.



2.



### 1. WAIRERE RAIL SHOWER

WELS mains pressure  
3★ 8L/MIN

CHROME > WISRPC  
MATTE BLACK > WISRBK



### 2. WAIRERE SHOWER SYSTEM

Drencher WELS mains pressure  
3★ 9L/MIN

Handset WELS mains pressure  
3★ 8L/MIN

CHROME > WISSCP  
MATTE BLACK > WISSBK



# Airstream™ Easy-Click

A perfect merger of simplicity and enhanced functionality.



### AIRSTREAM

Airstream technology aerates each water droplet to increase its volume – thus creating a refreshing shower experience.

### 3 FUNCTION HANDSET

Normal Massage, Combination



### REGULAR COVERAGE

A compact and powerful spray for everyday showering.



To complete the look match with:  
Koha Tapware - See page 38  
Maku Tapware - See page 50  
Waipori Tapware - See page 44

1.



2.



### 1. EASY CLICK ROUND TELESCOPIC RAIL SHOWER

WELS mains pressure  
3★ 7.5L/MIN

> ECSRRDCP



### 2. EASY CLICK SQUARE RAIL SHOWER

WELS mains pressure  
3★ 7.5L/MIN

> ECSRSQCP



# Airstream™ Alpha

Integrating functionality with form, the Alpha shower delivers everyday elegance. Airstream technology delivers a rain-like, softer more voluminous shower that is simply refreshing.



### AIRSTREAM

Airstream technology aerates each water droplet to increase its volume – thus creating a refreshing shower experience.

### 3 FUNCTION HANDSET

Normal, Massage, Combination



### REGULAR COVERAGE

A compact and powerful spray for everyday showering.



To complete the look match with:  
Aio Tapware - See page 28  
Maku Tapware - See page 50

1.



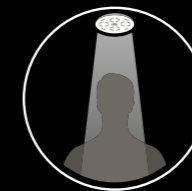
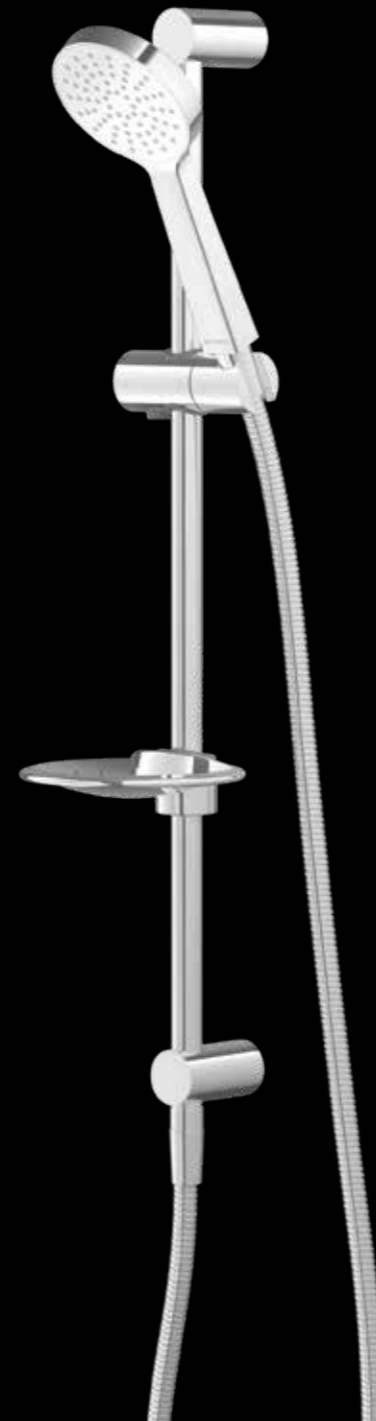
### 1. ALPHA MKII RAIL SHOWER

WELS mains pressure  
3★ 8.5L/MIN  
> SHALCP2



# Milano & Futura

We have revitalised the traditional shower experience, enhanced by leading-edge technology.



### REGULAR COVERAGE

A compact and powerful spray for everyday showering.



To complete the look match with:  
Aio Tapware - See page 28  
Maku Tapware - See page 50

1.



### 1. MILANO MKII WET/DRY RAIL SHOWER

WELS mains pressure  
3★ 8.5L/MIN  
WELS low pressure  
3★ 9L/MIN  
> SHMLCP2



2.



### 2. FUTURA SHOWER ROSE

WELS low pressure  
1★ 14L/MIN  
> FUT15CP



# Overhead Showers

Fixed overhead showers for an immersive, rain-inspired shower experience.



1.



2.



3.



4.



5.



6.



7.



8.

To complete the look match with:  
 Waipori Tapware - See page 44  
 Kiri Tapware - See page 48  
 Aio Tapware - See page 28  
 Maku Tapware - See page 50

1. **Aurajet®**  
AIO OVERHEAD SHOWER

WELS mains pressure  
2★ 10.5L/MIN

CHROME > AOOSCP  
MATTE BLACK > AOOSBK



2. **Satinjet®**  
SQUARE OVERHEAD SHOWER ON CEILING ARM

WELS mains pressure  
3★ 7.5L/MIN  
WELS low pressure  
2★ 11L/MIN

> OSQ230CCP



3. **Satinjet®**  
KIRI OVERHEAD SHOWER ON CEILING ARM

WELS mains pressure  
3★ 8.5L/MIN  
WELS low pressure  
2★ 11L/MIN

> OSRO230CACPGR



4. **Satinjet®**  
KIRI OVERHEAD SHOWER ON WALL ARM

WELS mains pressure  
3★ 8.5L/MIN  
WELS low pressure  
2★ 11L/MIN

> OSRO230WACPGR



5. **Satinjet®**  
KIRI OVERHEAD SHOWER

WELS MAINS PRESSURE  
3★ 8.5L/MIN  
WELS LOW PRESSURE  
2★ 11L/MIN

> OSRO230CPGR



6. **Satinjet®**  
KIRI FLUSH MOUNTED OVERHEAD SHOWER

WELS mains pressure  
3★ 7.5L/MIN  
WELS low pressure  
1★ 13L/MIN

> OSRO230FMCPR



7. **Satinjet®**  
SQUARE OVERHEAD SHOWER ON WALL ARM

WELS mains pressure  
3★ 8.5L/MIN  
WELS low pressure  
2★ 11.5L/MIN

> OSQ230WCP



8. **Satinjet®**  
SQUARE OVERHEAD SHOWER

WELS MAINS PRESSURE  
3★ 8.5L/MIN  
WELS LOW PRESSURE  
2★ 11L/MIN

> OSQ230CP



**ULTRA WIDE COVERAGE**

A full-bodied spray for all-over warmth and maximum body contact.





# Our tapware and mixer innovations

At Methven we like to make things better. So we spend a great deal of time and effort on research and development to improve our products. Here are just some of our success stories.



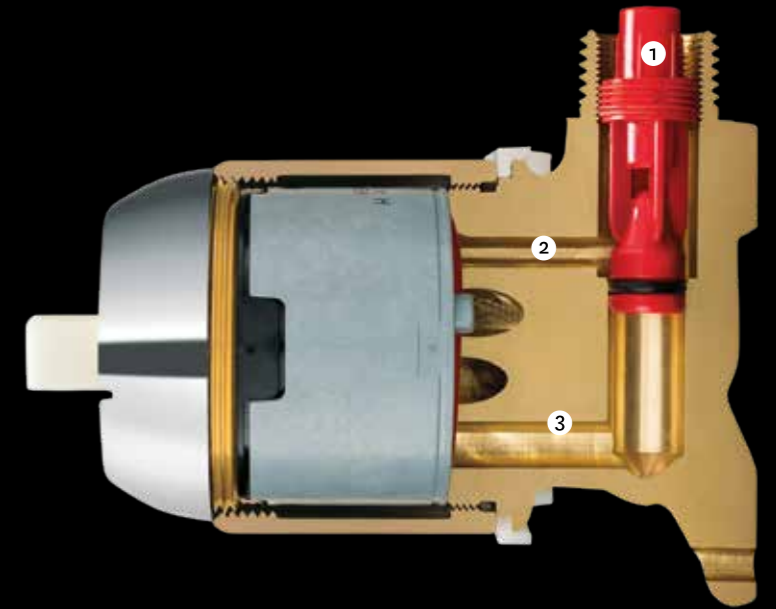
**Rob Bolus**  
Head of Technology  
30 years of service

## METHVEN Fastflow®

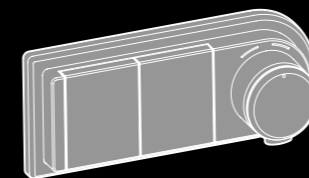
Unrivalled performance on unequal pressure installations

Our unique Fastflow® technology delivers unrivalled performance on unequal pressure installations. It has been used and trusted by New Zealand plumbers for over 20 years.

Using precision engineered jets, Fastflow® ingeniously uses high pressure cold water velocity to draw the low pressure hot water through at an increased rate. This provides maximum water flow at the optimum temperature.



1. Precision engineered jet uses a venturi system to draw the hot water through at an increased rate
2. Hot waterway flows around the outside of the jet
3. Cold waterway flows through the inside of the jet



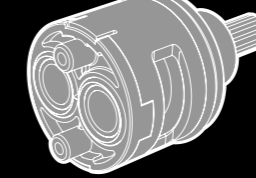
### THERMOSTATIC MIXING

Safer and more convenient temperature control

Thermostatic mixers maintain your desired temperature, using clever technology that monitors and continually regulates the temperature level.

Your pre-determined water temperature is maintained, and if somebody uses a tap elsewhere, the self-regulating technology prevents the water from suddenly running cold or hot. Additionally, in the event of a cold water supply failure, the thermostat detects the problem and immediately shuts off the hot water supply - an excellent safety feature.

Suitable for mains pressure only.

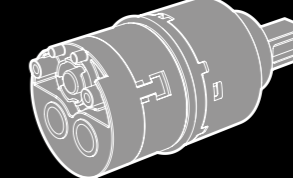


### CERAMIC DISCS

Reliable technology that saves water - and money

Ceramic discs ensure your taps work well, are safe to use and help you to conserve water.

A more durable replacement for conventional washers, ceramic discs won't wear out - which means dripping taps are a thing of the past.

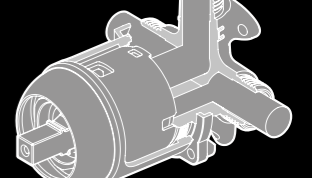


### SAFEFLOW™

The answer to safer showering

Safeflow is a temperature and flow regulator that is operated by a simple-to-use single lever. It delivers a stable showering temperature, even with erratic hot and cold pressure.

Precision ceramic discs add incrementally more cold water to the flow as you choose, resulting in a very accurate and stable output temperature to a maximum 45°. If the cold water cuts off for any reason, the thermal element quickly expands to shut off the hot water, preventing exposure to scalding water straight from the water heater.



### HYPERFLOW™

Faster flow from low pressure systems

An ingeniously simple solution for faster-filling baths and greater shower flow. Upgrade your shower and bath mixers with Methven Hyperflow™ to get significantly better water flow from your existing low pressure plumbing.

*\*Designed specifically for Equal Low Pressure plumbing systems: check with your plumber if this solution will work for you.*

# Surface

The Surface tapware range combines clean lines with elegant floating planes, creating a refined contemporary architectural aesthetic.



**LEAD FREE BRASS**

Using Eco Brass® to protect water quality and for enhanced corrosion resistance (excludes Fastflow Surface Shower Mixer).

**CERAMIC CARTRIDGE**

Fitted with a quality ceramic cartridge for all-round durability and longevity.



**1. SURFACE BASIN MIXER**

WELS mains pressure  
4★ 6.5L/MIN  
WELS low pressure  
5★ 5L/MIN  
> SFBCP



**2. SURFACE MINI BASIN MIXER**

WELS mains pressure  
4★ 7L/MIN  
WELS low pressure  
5★ 5L/MIN  
> SFBMCP



**3. SURFACE WALL MOUNTED MIXER WITH SPOUT**

WELS mains pressure  
4★ 6.5L/MIN  
> SFWBSP



**4. SURFACE WALL MOUNTED BATH SPOUT**

> SFSPWBTCP



**5. SURFACE SHOWER MIXER**

> SFHPSCP



**6. Fastflow® SURFACE SHOWER MIXER**

> SFAPSCP



**7. SURFACE SHOWER MIXER WITH DIVERTER**

> SFHPSDCP



# Minimalist

Inspired by Italian design, this elegant tapware features strict geometry and intersecting cylinders. A simply beautiful range that will enhance any room with its graceful forms.



**1. MINIMALIST BASIN MIXER**

WELS mains pressure  
3★ 8L/MIN  
WELS low pressure  
4★ 7.5L/MIN

> MMBCP



**2. MINIMALIST HI RISE BASIN MIXER**

WELS mains pressure  
3★ 8L/MIN  
WELS low pressure  
4★ 7.5L/MIN

> MMBTCP



**3. MINIMALIST 3 HOLE SET**

WELS mains pressure  
3★ 8L/MIN  
WELS low pressure  
2★ 12L/MIN

> MMBHRCP



**4A. MINIMALIST WALL MOUNTED BATH SPOUT (160MM)**

> SPMM160CP



**4B. MINIMALIST WALL MOUNTED BATH SPOUT (200MM)**

> SPMM200CP



**5. MINIMALIST WALL MOUNTED MIXER WITH SPOUT**

WELS mains pressure  
3★ 8L/MIN

> MMBWSLCP



**6. MINIMALIST 3 HOLE WALL MOUNTED SET**

WELS mains pressure  
3★ 8L/MIN  
WELS low pressure  
2★ 12L/MIN

> MMBWCP



**7. MINIMALIST MINI SHOWER MIXER**

> MMHPUSCP



**8A. MINIMALIST SHOWER MIXER**

> MMHSPCP



**8B. Fastflow® MINIMALIST SHOWER MIXER**

> MMSCP



**9. MINIMALIST SHOWER MIXER WITH DIVERTER**

> MMSDCP



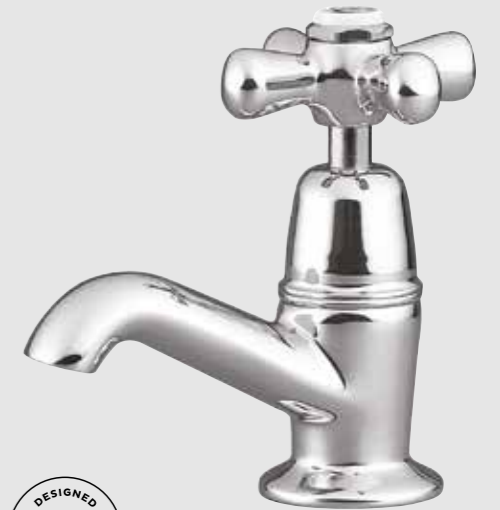
# Awa

Proven New Zealand engineering with a contemporary design twist, suited to both traditional and modern interiors.



# Belaire

Inspired by nature and well over a century of Methven craftsmanship, the Belaire range finds its expression in elegant curves which cleverly contrast the modern technology within.



1. AWA BASIN TAP

Mains zero rated  
WELS low pressure  
2★ 11L/MIN  
STD > AW623  
CD > AW624



2. AWA BATH TAP

STD > AW49320  
CD > AW49420



3. AWA SHOWER TAP

STD > AW453  
CD > AW454



4. AWA 3 HOLE BASIN SET

WELS mains pressure  
3★ 8L/MIN  
WELS low pressure zero rated  
> AW318



5. AWA 3 HOLE WALL MOUNTED BATH SET

STD > AW383



1. BELAIRE BASIN TAP

WELS mains pressure zero rated  
WELS low pressure  
2★ 11L/MIN  
STD > BA623CP  
CD > BA624CP



2. BELAIRE 3 HOLE WALL MOUNTED BATH SET

15MM STD > BA383CPCP  
15MM CD > BA384CPCP  
20MM STD > BA38320CPCP  
20MM CD > BA38420CPCP



3. BELAIRE 3 HOLE HI RISE BASIN SET

WELS mains pressure  
3★ 8L/MIN  
WELS low pressure  
1★ 16L/MIN  
STD > BA318HRCPCP  
CD > BA319HRCPCP



4. BELAIRE 3 HOLE BASIN SET

WELS mains pressure  
3★ 8L/MIN  
WELS low pressure zero rated  
STD > BA318CPCP  
CD > BA319CPCP



5. BELAIRE 3 HOLE BATH SET

STD > BA383PCPCP  
CD > BA384PCPCP



6. BELAIRE SHOWER TAP

15MM STD > BA453CPCP  
15MM CD > BA454CPCP  
20MM STD > BA45320CPCP  
20MM CD > BA45420CPCP



# Blaze

Sleek solid square lines, the Blaze tapware range is the latest in modern styling. Clean sharp lines blended with bold edges, the Blaze range completes and compliments modern geometric shaped décor

**CERAMIC CARTRIDGE**

Fitted with a quality ceramic cartridge for all-round durability and longevity.

**LONGER LASTING TAPS**

Dezincification Resistant (DZR) brass bodies last longer and help maintain water quality.

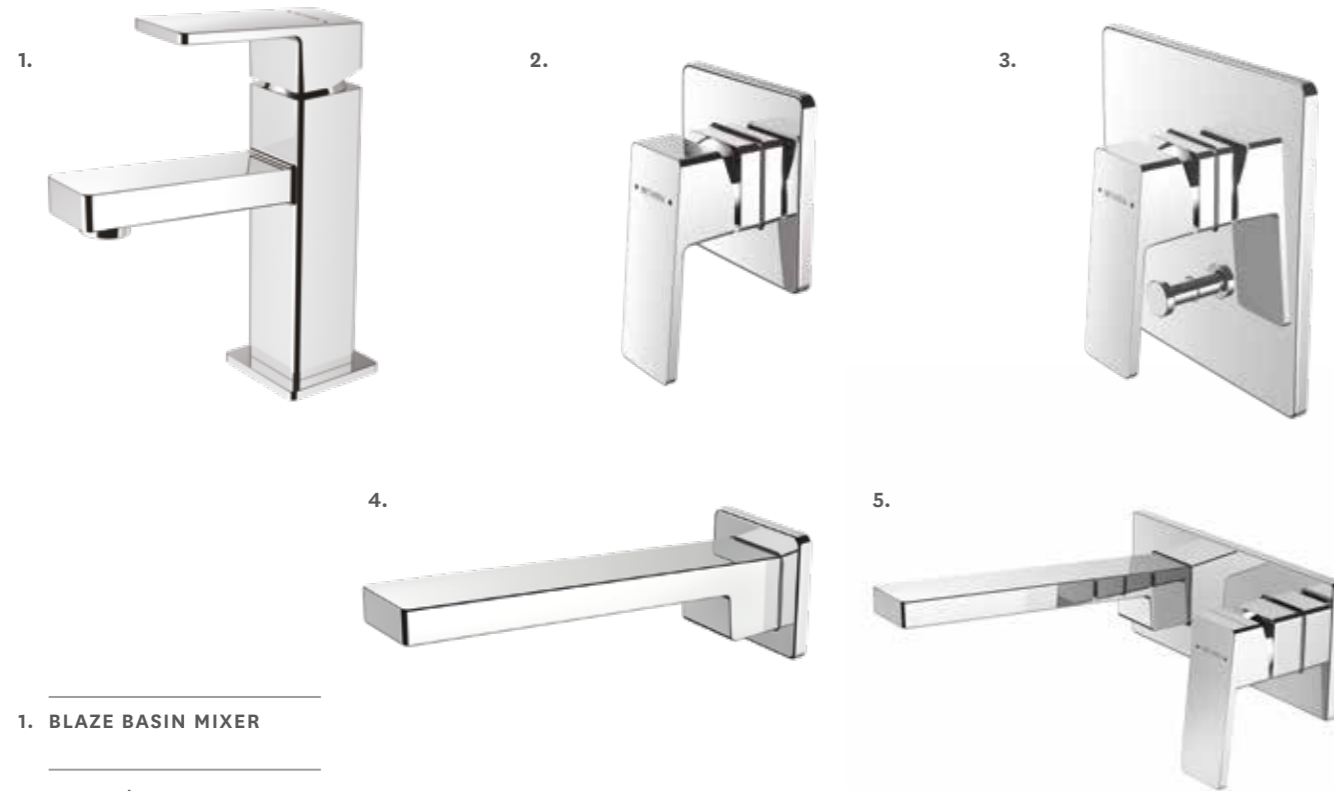


# Celeste

One of Methven's most practical, easy-to-use tapware ranges, Celeste is ergonomically designed with curving oval lines.

**CERAMIC CARTRIDGE**

Fitted with a quality ceramic cartridge for all-round durability and longevity.



1. BLAZE BASIN MIXER

WELS mains pressure  
5★ 6L/MIN  
> BLBCP



2. BLAZE SHOWER MIXER

> BLHPSCP



3. BLAZE SHOWER MIXER WITH DIVERTER

> BLHPSDCP



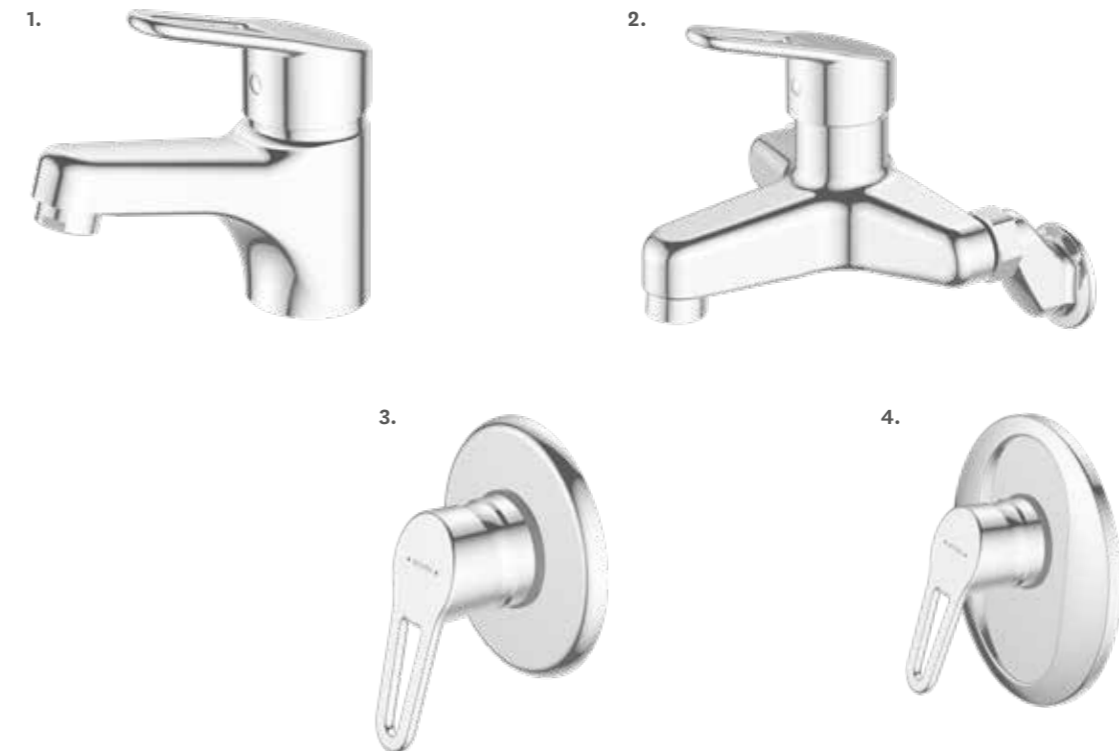
4. BLAZE WALL MOUNTED BATH SPOUT

> BLSPWBTCP



5. BLAZE WALL MOUNTED MIXER WITH SPOUT

> BLWBTCP



1. CELESTE BASIN MIXER

WELS mains pressure  
3★ 8L/MIN  
WELS low pressure  
3★ 8.5L/MIN  
> TPBCP2



2. CELESTE WALL MOUNTED BATH MIXER

> TP2080CP2



3. Fastflow<sup>®</sup> CELESTE SHOWER MIXER

> TPShCP2



4. Fastflow<sup>®</sup> CELESTE JUMBO SHOWER MIXER

> TPSJCP2



# Glide

The Glide range is a perfect addition to any contemporary bathroom. Elegant flowing lines, organic curves and an easy to use solid handle results in a complete range which is both functional and beautiful

**CERAMIC CARTRIDGE**

Fitted with a quality ceramic cartridge for all-round durability and longevity.

**LONGER LASTING TAPS**

Dezincification Resistant (DZR) brass bodies last longer and help maintain water quality.



# Neon

Crisp and sharp, the Neon tapware range is unashamedly geometric.

**CERAMIC CARTRIDGE**

Fitted with a quality ceramic cartridge for all-round durability and longevity.

**LONGER LASTING TAPS**

Dezincification Resistant (DZR) brass bodies last longer and help maintain water quality.



1. GLIDE BASIN MIXER

WELS mains pressure  
5★ 6L/MIN  
> GLBCP



2. GLIDE SHOWER MIXER

> GLHPSCP



3. GLIDE SHOWER MIXER WITH DIVERTER

> GLHPSDCP



4. GLIDE WALL MOUNTED BATH SPOUT

> GLSPWBTCP



1. NEON BASIN MIXER

WELS mains pressure  
5★ 6L/MIN  
> NEBCP



2. NEON SHOWER MIXER

> NEHPSCP



3. NEON SHOWER MIXER WITH DIVERTER

> NEHPSDCP



# Promix

Clean, uncluttered design and sturdy construction makes Promix equally at home for domestic and commercial uses. It is compatible with a wide range of decors.

**CERAMIC CARTRIDGE**

Fitted with a quality ceramic cartridge for all-round durability and longevity.

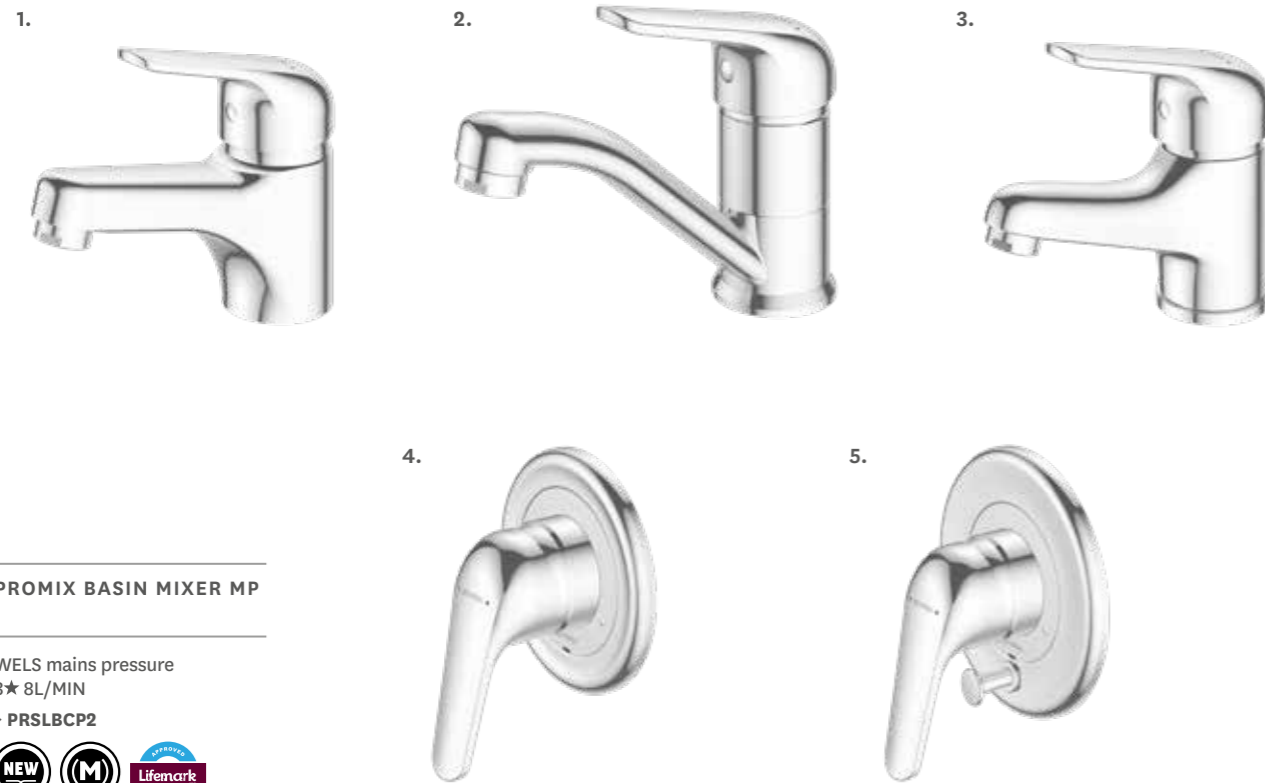


# Bath Fillers

Our modern floor mounted bath fillers are the perfect partner for your free standing bath.

**CERAMIC CARTRIDGE**

Fitted with a quality ceramic cartridge for all-round durability and longevity.



1. PROMIX BASIN MIXER MP

WELS mains pressure  
3★ 8L/MIN  
> PRSLBCP2



2. PROMIX SWIVEL BASIN MIXER

WELS mains pressure  
4★ 7.5L/MIN  
WELS low pressure  
5★ 6L/MIN  
> PRBSWCP2



3. PROMIX MINI BASIN MIXER

WELS mains pressure  
3★ 8L/MIN  
WELS low pressure  
5★ 6L/MIN  
> PRBMCP2



4. PROMIX SHOWER MIXER

> PRSHCP2



5. PROMIX SHOWER MIXER WITH DIVERTER

> PRSHDCP2



1. MINIMALIST FLOOR MOUNTED BATH FILLER

WELS mains pressure  
1★ 15L/MIN  
> MMBFCP



2. SQUARE FLOOR MOUNTED BATH FILLER

WELS mains pressure  
1★ 15L/MIN  
> SQBFCP



# Spouts

A diverse range of standalone spouts to easily match to your basin or bath shape and style.



- |   |   |  |   |
|---|---|--|---|
| <p><b>1. TŪROA WALL MOUNTED BATH SPOUT</b></p> <p>&gt; TUSPWBTSS</p> <p> </p>         | <p><b>2. AIO WALL MOUNTED BATH SPOUT (200MM)</b></p> <p>CHROME &gt; AOSPWBTCP<br/>MATTE BLACK &gt; AOSPWBTK</p> <p> </p>      | <p><b>13. WALL MOUNTED BATH SPOUT (165MM)</b></p> <p>&gt; SP99CP</p> <p></p>                                     | <p><b>14. HOB MOUNTED BATH SPOUT (160MM)</b></p> <p>&gt; SP96CP</p> <p></p>             |
| <p><b>3. KOHA WALL MOUNTED BATH SPOUT (200MM)</b></p> <p>&gt; KOSP200CP</p> <p> </p>  | <p><b>4. WAIPORI WALL MOUNTED BATH SPOUT (203MM)</b></p> <p>CHROME &gt; WASPW200CP<br/>MATTE BLACK &gt; AOSPWBTK</p> <p> </p> | <p><b>5. WAIPORI HOB MOUNTED BATH SPOUT (198MM)</b></p> <p>&gt; WASPH200CP</p> <p> </p>                          | <p><b>6. SURFACE WALL MOUNTED BATH SPOUT (204MM)</b></p> <p>&gt; SFSPWBTCP</p> <p> </p> |
| <p><b>7. MAKU WALL MOUNTED BATH SPOUT (212MM)</b></p> <p>&gt; MASPW210CP</p> <p> </p> | <p><b>8. KIRI WALL MOUNTED BATH SPOUT (172MM)</b></p> <p>&gt; KISP172CP</p> <p> </p>  | <p><b>9. MINIMALIST WALL MOUNTED BATH SPOUT</b></p> <p>160MM &gt; SPMM160CP<br/>200MM &gt; SPMM200CP</p> <p></p> | <p><b>10. BLAZE WALL MOUNTED BATH SPOUT</b></p> <p>&gt; BLSPWBTCP</p> <p> </p>          |
| <p><b>11. GLIDE WALL MOUNTED BATH SPOUT</b></p> <p>&gt; GLSPWBTCP</p> <p> </p>        | <p><b>12. WALL MOUNTED BATH SPOUT (180MM)</b></p> <p>&gt; 388CP</p> <p></p>   |  |   |



# Your kitchen, the heart of your home

You spend more active time in the kitchen than any other room in the house, and your kitchen tapware is at the heart of this - so it's important to select the tapware that's right for you.



Think about how you use your kitchen tapware:

Whether you're looking to buy kitchen tapware as part of a renovation, new build or simply because your current mixer is in need of replacement, it's important to think about the everyday tasks you use it for. For example, food preparation, washing dishes, rinsing dishes, making drinks, washing hands or even watering your plants. Considering all the facts will help you choose the right combination of features.

Choosing the right kitchen tap:

## 1. CONSIDER THE MOUNTING TYPE - DO YOU WANT IT DECK (BENCH) OR WALL MOUNTED:

**Deck mounted** - Is a more contemporary look and gives you greater flexibility for kitchen sink placement.

**Wall mounted** - Gives a more classic look and is more cost effective if you're replacing an old wall-mounted kitchen tap.

## 2. CONSIDER HOW YOU WANT TO CONTROL YOUR KITCHEN TAP:

**Mixers** - Contemporary look and simple single handed operation.

Also, if you prefer a mixer do you want the handle positioned on the side, front or top? Methven have deck mounted mixers that allow you to position the handle at either the front or side.

**Separate handles** - The classic look, allowing you to control the cold and hot water individually.



## 3. CONSIDER YOUR SPOUT HEIGHT - HIGH VS LOW:

**High spout** - Gives a more contemporary look and makes filling large pots much easier.

**Low spout** - Is great when space is at a premium, such as when you have a cabinet or window above the sink.

## 4. WHAT ABOUT A PULL-OUT SPOUT:

This is a feature where the spout head pulls out towards the sink on a flexible hose, giving increased flexibility and manoeuvrability - very handy for cleaning vegetables, rinsing pots and pans or rinsing down the sink.



# Sink Mixers

Single-lever mixers with a taller spout to suit both kitchen and laundry sinks. With the convenience of easy one-handed temperature and flow control.



1. KOHA SINK MIXER

WELS mains pressure  
4★ 6.5L/MIN  
WELS low pressure  
4★ 7L/MIN  
> KOKSLCP



2. TAHI SINK MIXER

WELS mains pressure  
4★ 6.5L/MIN  
WELS low pressure  
4★ 6.5L/MIN  
> TAKCP



3. WAIPORI SINK MIXER

WELS mains pressure  
4★ 6.5L/MIN  
WELS low pressure  
4★ 7L/MIN  
CHROME > WAKCP  
MATTE BLACK > WAKBK



4. MAKU SINK MIXER

WELS mains pressure  
4★ 7L/MIN  
WELS low pressure  
4★ 7L/MIN  
> MAKCP



5. KIRI SINK MIXER

WELS mains pressure  
4★ 6.5L/MIN  
WELS low pressure  
4★ 7.5L/MIN  
> KIKCP



6. MINIMALIST SINK MIXER

WELS mains pressure  
3★ 8L/MIN  
WELS low pressure  
3★ 8L/MIN  
> MMKCP





1. MINIMALIST SINK MIXER WITH PULL OUT SPRAY

WELS mains pressure  
4★ 7L/MIN  
> MMKHRPD



5. CENTIQUE HI RISE VEGIE SPRAY SINK MIXER

WELS mains pressure  
4★ 7L/MIN  
> HR2030



2. MINIMALIST GOOSENECK SINK MIXER

WELS mains pressure  
3★ 8L/MIN  
WELS low pressure  
3★ 8L/MIN  
> MMKHRCF



6. CENTIQUE SINK MIXER WITH VEGIE SPRAY

WELS mains pressure  
4★ 7.5L/MIN  
> VS2030



3. MINIMALIST PULL DOWN SINK MIXER

WELS mains pressure  
4★ 7L/MIN  
> MMKSPR



7. CENTIQUE SINK MIXER

WELS mains pressure  
3★ 8L/MIN  
WELS low pressure  
3★ 9L/MIN  
> CENSINK2



4. GASTON PULL DOWN SINK MIXER

WELS mains pressure  
4★ 6.5L/MIN  
CHROME > GAKCP  
BRUSHED > GAKBF  
BLACK ACCENT > GAKBK  
BRUSHED & BLACK ACCENT > GAKBFBK



8. PROMIX SINK MIXER

WELS mains pressure  
3★ 8L/MIN  
WELS low pressure  
3★ 9L/MIN  
> PRSLSCP2



1. BLAZE SINK MIXER

WELS mains pressure  
5★ 6L/MIN  
> BLKCP



2. NEON SINK MIXER

WELS mains pressure  
5★ 6L/MIN  
> NEKCP



6. AWA SINK TAP

Mains zero rated  
WELS low pressure  
2★ 10.5L/MIN  
STD > AW49315  
CD > AW49415



3. GLIDE SINK MIXER

WELS mains pressure  
5★ 5.5L/MIN  
> GLKCP



7. BELAIRE SINK TAP

WELS mains pressure zero rated  
WELS low pressure  
2★ 10.5L/MIN  
STD > BA49315CP  
CD > BA49415CP



4. FUTURA SINK MIXER

WELS mains pressure  
3★ 8L/MIN  
WELS low pressure  
3★ 9L/MIN  
> FTKCP2



8. AWA SINK FAUCET

WELS mains pressure  
3★ 8L/MIN  
WELS low pressure  
1★ 14L/MIN  
STD > AW34315  
CD > AW344



5. CELESTE SINK MIXER

WELS mains pressure  
3★ 8L/MIN  
WELS low pressure  
3★ 8.5L/MIN  
> TPKCP2



9. BELAIRE SINK FAUCET

WELS mains pressure  
3★ 8L/MIN  
WELS low pressure  
1★ 16L/MIN  
STD > BA343CP  
CD > BA344CP



# Awards

## 2016



**reddot design award**  
winner 2016  
Red Dot Award  
Product Design Winner  
Aurajet® Aio Showers



**Australian International Design Award**  
GOOD DESIGN® Award  
Aurajet® Aio Shower System



**New Zealand BEST Design Awards**  
Silver, Product, Consumer  
Aurajet® Aio Shower System



**New Zealand BEST Design Awards**  
Bronze, Product, Consumer  
Surface Tapware Collection



**UK CoolBrands Award 2016/2017**  
Winner, Home - Hard Furnishings



**House Beautiful Award 2016**  
Best Bathroom - Gold Winner  
Aurajet® Aio Overhead Shower



**Chicago Athenaeum GOOD DESIGN™ Award**  
Award Winner  
Aurajet® Aio Shower System  
Surface Tapware Collection



**German Design Award**  
Special Mention  
Aurajet® Aio Showers



**Plus X Design Award**  
Award Winner  
Aurajet® Aio Handset



**Plus X Design Award**  
Award Winner  
Aio Basin Mixer



**Plus X Design Award**  
Award Winner  
Most Innovative Brand



**ExportNZ Awards 2016**  
Award Winner  
Best Use of Commercialisation of Innovation for Export

BALDWIN'S INTELLECTUAL PROPERTY BEST USE OF COMMERCIALISATION OF INNOVATION FOR EXPORT

## 2017



**reddot design award**  
best of the best 2017  
Red Dot Award  
Best of the Best  
Aurajet® Aio Shower System



**2017 UK Bathroom & Kitchen Update (BKU) Awards**  
Award Winner  
Best Shower Brand of the Year

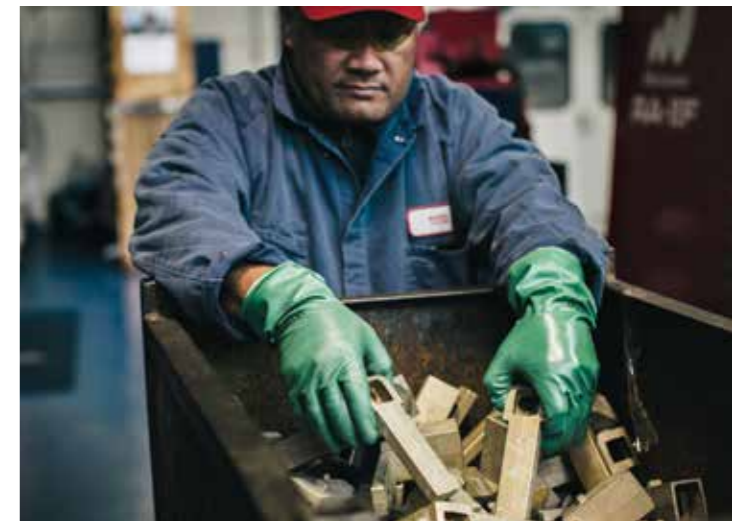
## 2018



**reddot design award**  
winner 2018  
Red Dot Award  
Product Design Winner  
VJet™ Tūroa Showers



**Australian Good Design Award**  
Best in Class  
VJet™ Tūroa Showers



# METHVEN

methven.com

## **NEW ZEALAND**

Methven Limited  
41 Jomac Place  
Avondale  
Auckland 1026  
New Zealand  
Phone: 0800 804 222

## **AUSTRALIA**

Methven Australia Pty Limited  
16 Gipps Street, Collingwood  
Victoria 3066  
Australia  
Phone: 1300 638 483

## **UNITED KINGDOM**

Methven UK Limited  
Methven Experience Centre  
3/3A Stone Cross Court, Yew Tree Way  
Golborne, Warrington  
WA3 3JD  
United Kingdom  
Phone: 0800 195 1602

## **CHINA**

Methven Heshan Bathroom  
Fitting Co. Limited  
A, Dong Xi Development Zone  
Zhishan Town, Heshan City  
Guangdong Province  
China  
Phone: 400 889 2080

Please note: While every effort is made to ensure that the details in this brochure were correct at the time of printing, Methven reserves the right to alter specifications or product from that shown.



This brochure is produced using Elemental Chlorine Free (ECF) pulp sourced from farmed eucalyptus trees and manufactured under the strict ISO14001 Environmental Management System. Printed with soy-based printing inks.